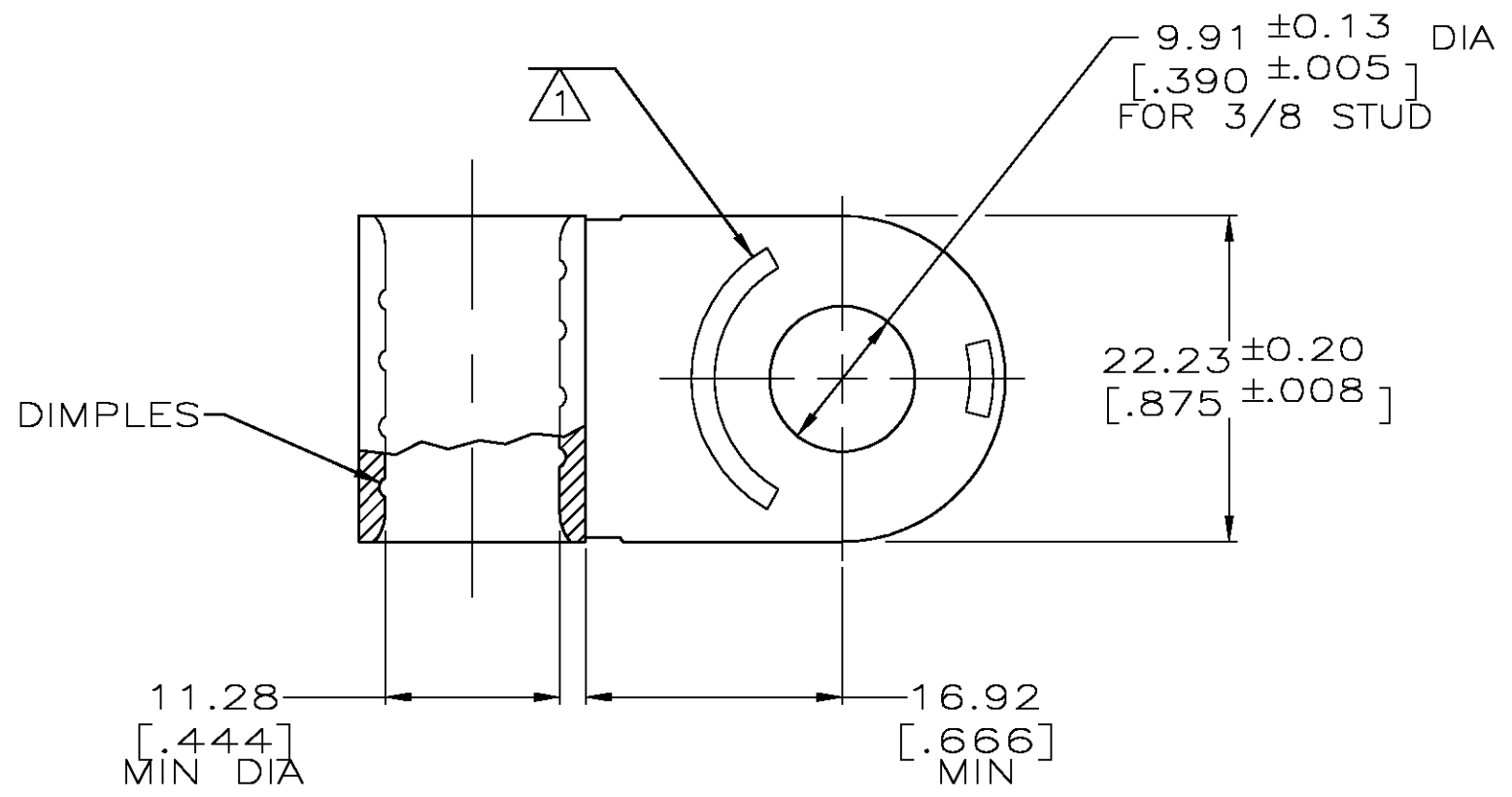


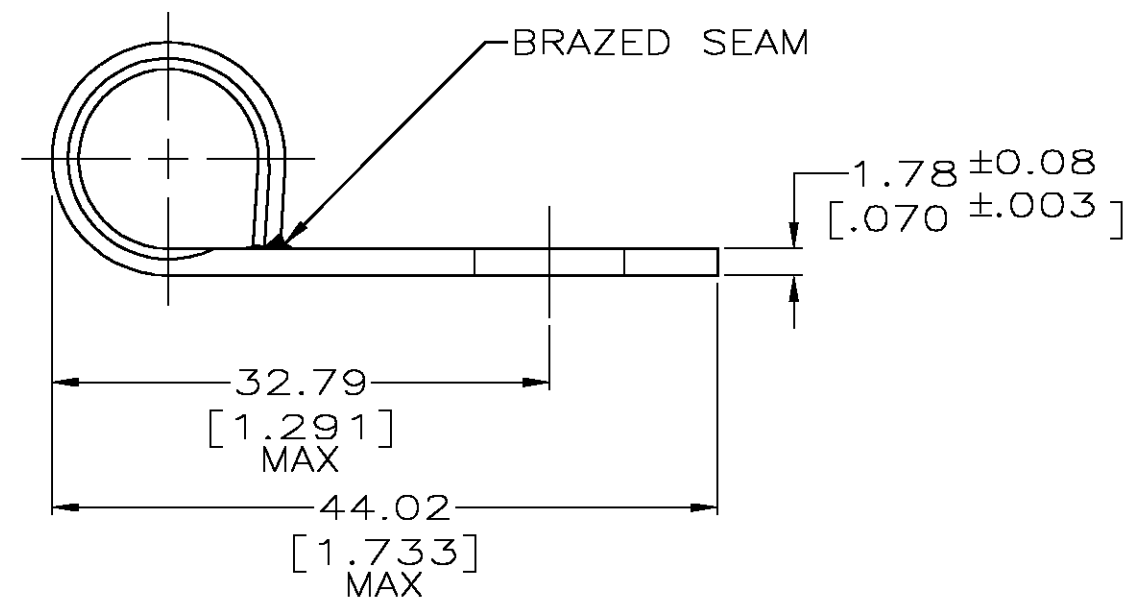
THIS DRAWING IS UNPUBLISHED. RELEASED FOR PUBLICATION  
 © COPYRIGHT BY TYCO ELECTRONICS CORPORATION. ALL RIGHTS RESERVED.

LOC	DIST	REVISIONS					
		P	LTR	DESCRIPTION	DATE	DWN	APVD
G	14		E	REV PER 0G3A-0799-03	17DEC03	JR	MJS



<b>AMP</b> WIRE RANGE	Listed FILE E13288	LR7189 Certified
1/0 AWG SOLID OR STRANDED	1/0 AWG STRANDED	1/0 AWG SOLID OR STRANDED

- △1 STAMP AMP 1/0\* 100 APPROX AS SHOWN
- △2 COPPER PER ASTM B-152, ANNEALED
- △3 0.00254 [.000100] MIN TIN PER ASTM B-545



321066  
 AMP  
 PART NUMBER

# AMP INCORPORATED CUSTOMER SERVICE SYSTEMS

FOR ADDITIONAL PRODUCT INFORMATION OR COPIES OF DRAWINGS AND TECHNICAL DOCUMENTS	PRODUCT INFORMATION CENTER 1-800-522-6752	RECOMMENDED OPERATING TEMPERATURE: 170° C MAX
FOR APPLICATION TOOLING INFORMATION	TOOLING ASSISTANCE CENTER 1-800-722-1111	VOLTAGE RATING: NOT APPLICABLE
FOR ORDER ENTRY	1-800-526-5142	WIRE CROSS SECTIONAL AREA RANGE: 42.4-60.6mm <sup>2</sup> [83,700-119,500] CIR MILS SOLID OR STRANDED

THIS DRAWING IS A CONTROLLED DOCUMENT.

DIMENSIONS: MM [INCHES]	TOLERANCES UNLESS OTHERWISE SPECIFIED:
	0 PLC ± -
	1 PLC ± -
	2 PLC ± -
	3 PLC ± -
	4 PLC ± -
	ANGLES ± -
MATERIAL	FINISH
- △2	- △3

DWN DK SCHRUM 28OCT97		Tyco Electronics Corporation City, State, Zip	
CHK MJ SPICER 28OCT97		NAME TERMINAL, RING TONGUE, FLAG, SOLISTRAND	
APVD JL MECKLEY 28OCT97		SIZE A3	CAGE CODE 00779
PRODUCT SPEC	RESTRICTED TO	-	
APPLICATION SPEC	SCALE	2:1	SHEET 1 OF 1
WEIGHT	CUSTOMER DRAWING		REV E